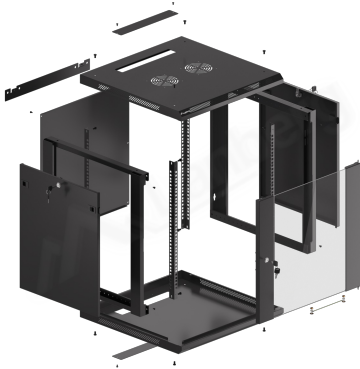




WF01-6612-10B

RACK CABINET 19" WALL-MOUNT



PRODUCT FEATURES:

- Made of high quality rolled steel
- Designed for self-assembly (FLAT PACK)
- Equipped with numbered mounting rails
- Has the ability to mount optional wheels
- Included wall mounting bracket
- Cable entry panel: top and bottom

PRODUCT SPECIFICATION:

| | |
|--------------------------------|--|
| Type of cabinet | Wall mount |
| Size | 19" |
| ICT Height | 12 U |
| Assembly type | Self-assembly |
| Weatherproof rating | IP20 |
| Working depth | 529,5 mm |
| Standard | ANSI/EIA RS-310-D, DIN 41491/PART 1, DIN 41494/PART 7, ETSI, IEC297-2:1982 |
| Maximum static load | 60 kg |
| Front door types | Temper glass |
| Slot amount for fans | 2 |
| Colour | Black |
| Front door thickness | 5 mm |
| Upper & lower panel thickness | 1,2 mm |
| Side panel thickness | 1 mm |
| Mounting rails thickness | 1,5 mm |
| Other elements sheet thickness | 1,2 mm |
| Depth | 600 mm |
| Weight | 23 kg |
| Included Accessories | User guide, Grounding cable, M6 screws, Mounting bracket, Front lock, Side locks, Set of assembly elements |

